

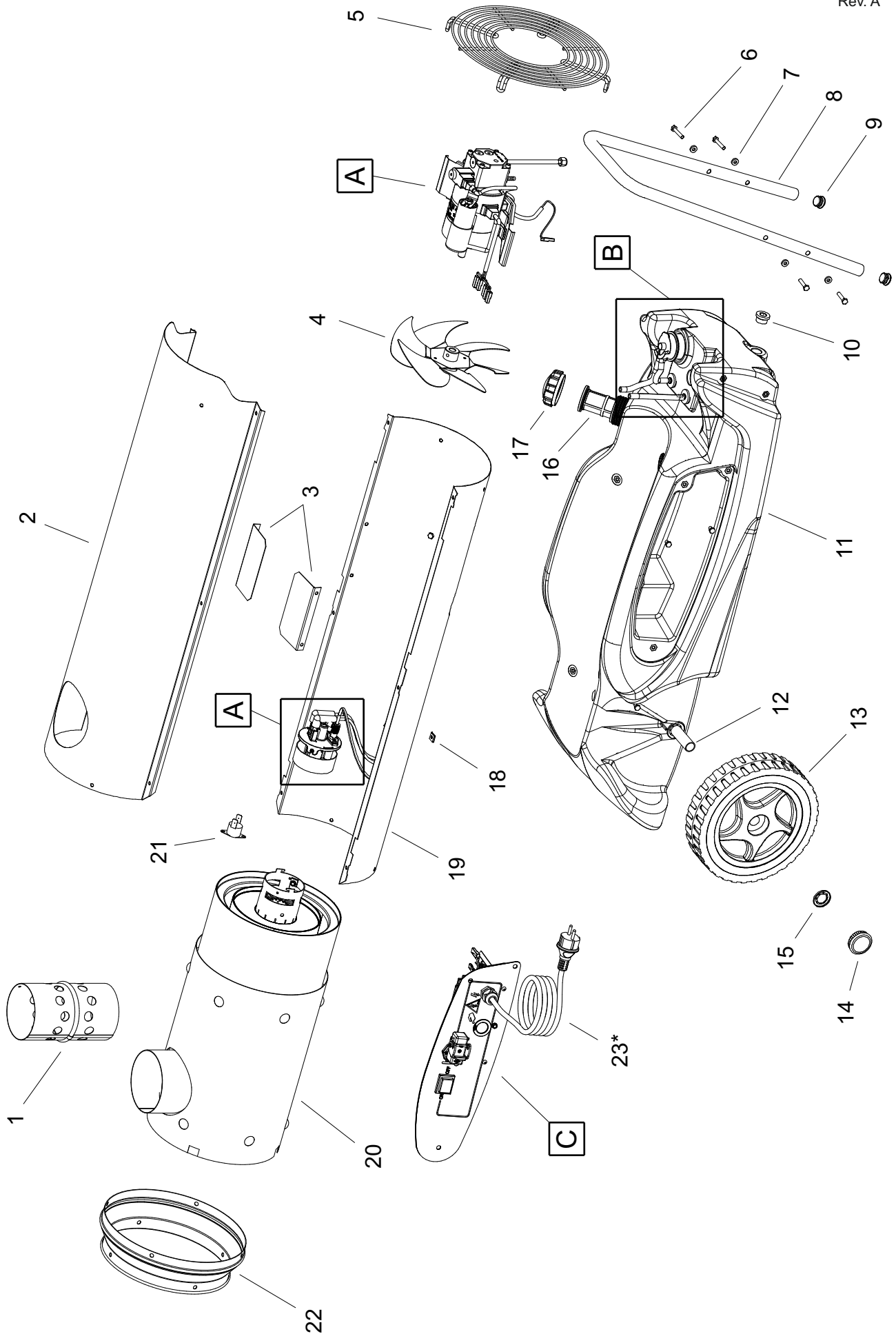
BV 77 MODEL 2013

UNIT 1

ILLUSTRATED PARTS BREAKDOWN

Edizione 2013
Rev. A

From Serial Number: 04233000449

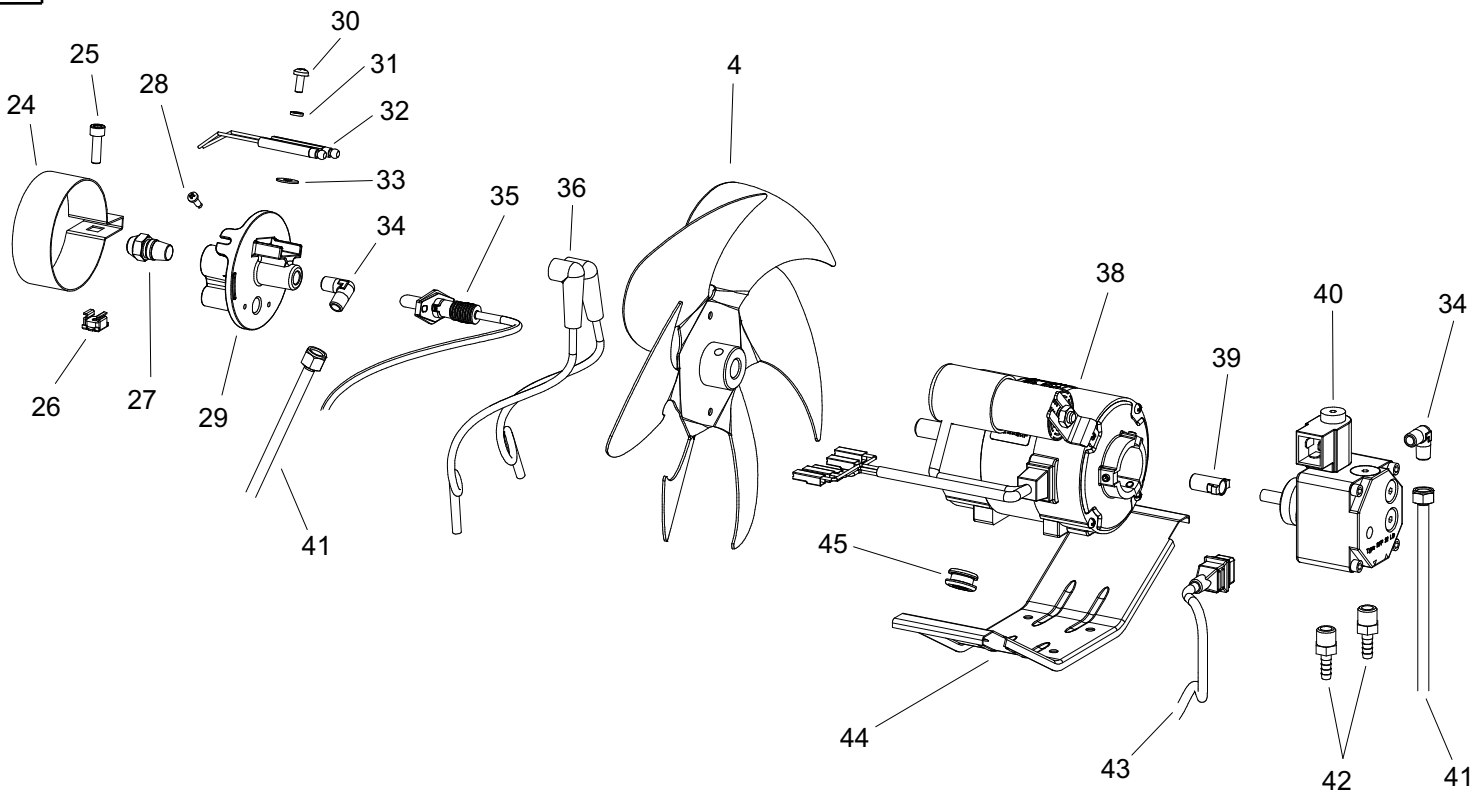


BV 77 MODEL 2013

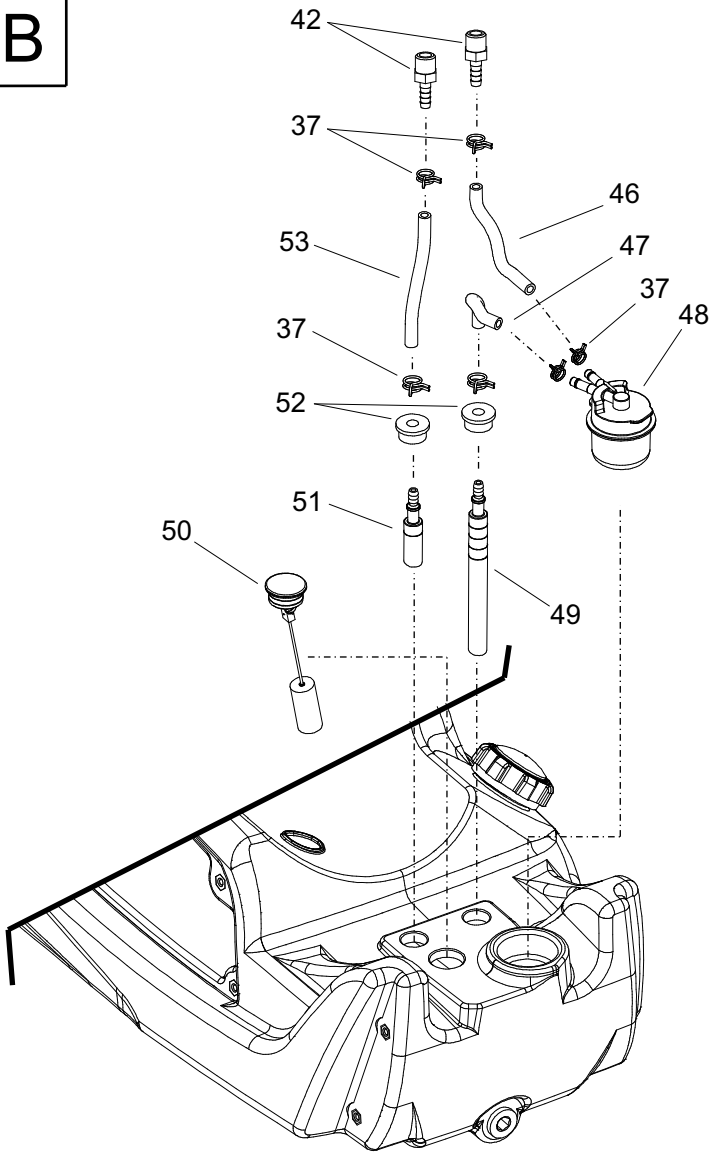
UNIT 2

ILLUSTRATED PARTS BREAKDOWN

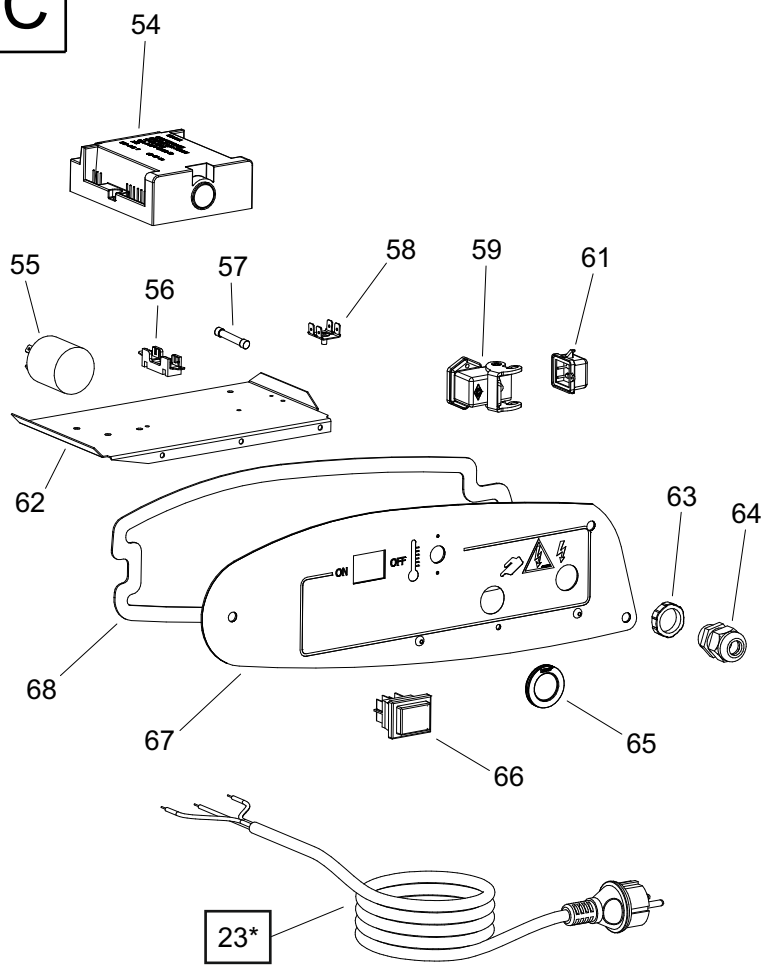
A



B



C



23*

| Pos. | Code NR | Description |
|-------------|----------------|------------------------|
| 1 | 4032.840 | CHIMNEY |
| 2 | 4032.832 | UPPER SHELL |
| 3 | 4032.808 | AIR FLAP |
| 4 | 4032.814 | FAN |
| 5 | 4032.836 | INLET GRID |
| 6 | 4140.665 | SCREW |
| 7 | 4160.272 | WASHER |
| 8 | 4032.811 | HANDLE |
| 9 | 4032.979 | CAP |
| 10 | 4032.813 | DRAIN PLUG |
| 11 | 4033.267 | TANK |
| 12 | 4032.809 | AXLE |
| 13 | 4032.094 | WHEEL |
| 14 | 4111.480 | WHEEL CAP |
| 15 | 4111.072 | WHEEL HOLDER |
| 16 | 4201.185 | TANK FILTER |
| 17 | 4032.846 | TANK CAP |
| 18 | 4104.170 | CLIP NUT |
| 19 | 4032.834 | LOWER SHELL |
| 20 | 4033.081 | COMBUSTION CHAMBER |
| 21 | 4032.883 | LIMIT THERMOSTAT |
| 22 | 4031.657 | OUTLET CONE |
| 23* | 4033.253 | POWER CORD SCHUKO |
| 23-A | 4033.252 | POWER CORD NEW ZEALAND |
| 23-B | 4033.302 | POWER CORD UK |
| 24 | 4032.545 | AIR REGULATION FLAP |
| 25 | 4032.455 | SCREW |
| 26 | 4032.454 | CAGE NUT |
| 27 | 4031.536 | NOZZLE |
| 28 | 4161.956 | SCREW |
| 29 | 4033.042 | BURNER FLANGE |
| 30 | 4110.363 | SCREW |
| 31 | 4110.393 | AUTOLOCK WASHER |
| 32 | 4033.123 | BIFILAR ELECTRODE |
| 33 | 4110.394 | FIBER WASHER |
| 34 | 4033.198 | ELBOW |

| Pos. | Code NR | Description |
|-------------|----------------|----------------------------|
| 35 | 4033.022 | PHOTOCELL |
| 36 | 4032.885 | HIGH TENSION CABLES |
| 37 | 4100.810 | PIPE CLAMP |
| 38 | 4033.219 | MOTOR |
| 39 | 4111.081 | COUPLING |
| 40 | 4111.042 | PUMP |
| 41 | 4033.187 | FLEXIBLE OIL PIPE |
| 42 | 4032.906 | FITTING |
| 43 | 4032.342 | SOLENOID SPOOL CORD |
| 44 | 4032.835 | MOTOR BRACKET |
| 45 | 4032.947 | CABLE PROTECTION |
| 46 | 4033.269 | OIL PIPE FILTER-PUMP |
| 47 | 4033.268 | OIL PIPE TANK-TANK FILTER |
| 48 | 4260.107 | FUEL FILTER |
| 49 | 4110.355 | OIL SUCTION LINE |
| 50 | 4260.099 | FUEL GAUGE |
| 51 | 4033.038 | OIL DISCHARGE LINE |
| 52 | 4100.541 | RUBBER BUSHING |
| 53 | 4110.032 | OIL DISCHARGE PIPE |
| 54 | 4033.017 | IGNITION CONTROL |
| 55 | 4032.771 | POWER LINE RFI FILTER |
| 56 | 4033.301 | FUSE HOLDER |
| 57 | 4032.850 | FUSE |
| 58 | 4160.639 | POP RIVET TERMINAL 4 WAY |
| 59 | 4111.119 | THERMOSTAT SOCKET |
| 61 | 4162.467 | CAP FOR THERMOSTAT SOCKET |
| 62 | 4033.292 | ELECTRICAL COMPONENTS BASE |
| 63 | 4100.656 | NUT |
| 64 | 4150.528 | STRAIN RELIEF |
| 65 | 4033.251 | BOARD BUTTON CAP |
| 66 | 4165.204 | SWITCH |
| 67 | 4033.272 | ELECTRICAL PANEL |
| 67 | 4033.273 | ADHESIVE |
| 68 | 4033.274 | PANEL GASKET |